



HP Designjet 4020 Printer series



High-speed HP Designjet to grow your business

Designed for non-stop printing at lower costs

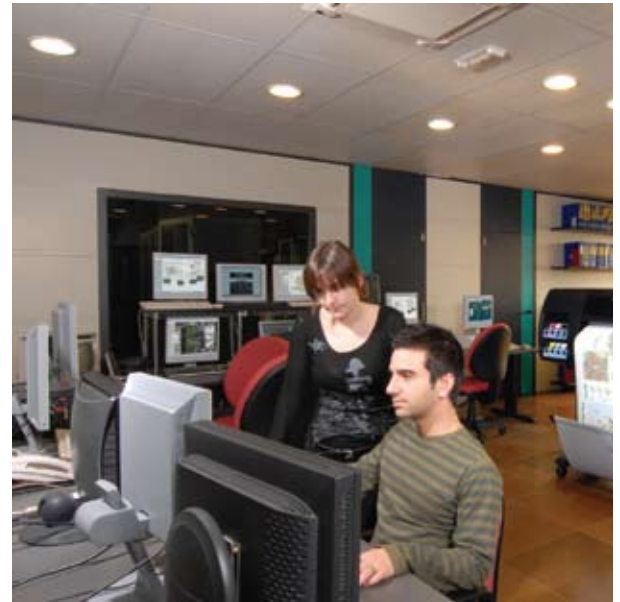
- Double your print capacity and truly maximize productivity with HP Double Swath technology and 160 GB hard disk.
- Experience fast, simultaneous processing and printing thanks to in-printer processing, which also provides built-in HP-GL/2 and PDF support⁽¹⁾.
- Save time and money by producing ready-to-use prints—this series creates CAD prints with 0.2 in margins, so there's no need for trimming.
- Count on this printer to perform unattended printing with reliable 775-ml black, 400-ml color Original HP ink cartridges.
- Achieve greater cost efficiency with free HP support, HP supplies that deliver a better value.

Provides great possibilities to grow your business

- Experience more possibilities to increase your personal productivity with HP Instant Printing Utility 2.0, HP embedded Web server and Serif PosterDesigner Pro for HP.
- Turn your printer into a print workflow management system with optional SCP reprocontrol for HP⁽²⁾. The SCP reprocontrol for HP is powerful software that lets you flexibly automate, standardize, and manage color consistently within your workflow.
- Produce excellent lines and images with patented HP inks, printheads enabling 0.1% line accuracy⁽³⁾, and HP Professional Color technologies.
- Choose from a broad portfolio of over 35 Original HP media for high-quality results from CAD drawings and renders to presentations and posters.

Trusted integration in your IT environment

- Trusted connectivity and security—with built-in Gigabit Ethernet networking, advanced access control and optional HP Jetdirect support for secure IPsec and IPv6⁽⁴⁾. A Linux PS driver offers additional support for Linux users⁽⁵⁾.
- Manage your HP Designjet, fleet of devices, and your costs with HP Web Jetadmin and the embedded Web server.
- Experience true peace of mind with a printer you know you can trust—from a company with years of experience and expertise.



(1) Available on the HP Designjet 4020ps Designjet Printer only. Support in English only.

(2) SCP reprocontrol for HP is an optional feature. Not included, sold separately.

(3) +/-0.1% of the specified vector length or +/-0.1 mm (whichever greater) at 73° F (23° C), 50-60% relative humidity, on E/A0 printing material in Best or Normal mode with HP Matte Film.

(4) IPsec and IPv6 support requires the purchase of the HP Jetdirect 630n or HP Jetdirect 635n.

(5) Serif PosterDesigner Pro for HP is an optional feature. Not included, sold separately.

(6) Compared to HP Designjet 1050 printer.

For enterprise, public sector, and reprographic houses

100 D/A1 prints per hour

775-ml black, 400-ml color cartridges

160 GB hard disk

Optional PostScript

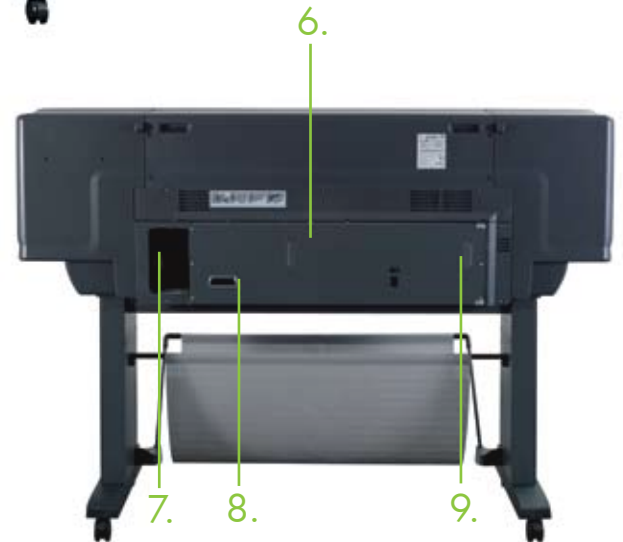
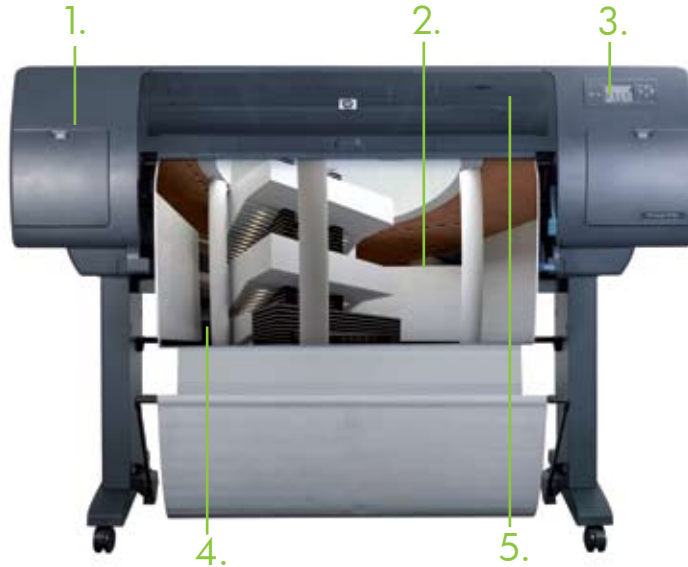
SCP reprocontrol for HP

Embedded Web server

608 MB memory (up to 1120 MB)

HP Designjet 4020 Printer series

1. Ink cartridges of 225 and 400-ml for CMY; 400 and 775-ml for K.
2. Accommodates media rolls up to 300 ft (90 m). It also has a manual sheet feed that supports sizes starting from B (A3).
3. Front panel with user friendly animations.
4. Color consistency and screen-to-print matching with HP Professional Color technologies.
5. Pairs of staggered printheads in the carriage mean the HP Designjet 4020 Printer series has double the print capacity of earlier models.
6. HP Embedded Web Server for driverless file submission, queue management, preview, supplies and printer status, and error notification.
7. HP Embedded Jetdirect Gigabit Ethernet print server (1000Base-T) + 2 FireWire (IEEE1394a compliant) ports.
8. EIO port for optional Jetdirect cards.
9. Embedded processor for simultaneous printing and processing. 608 MB Memory (upgradeable to 1120 MB). 160 GB HDD.
10. Equipped with a standard bin that holds 50 E/A0-size prints.



HP Designjet 4020 Printer series at a glance

HP Designjet 4020 Printer

- Up to 42 in (1067 mm) wide
- 2400 x 1200 dpi maximum resolution
- Rolls up to 300 ft (90 m) long
- Ink supplies of 225 and 400-ml for CMY; 400 and 775-ml for K
- Embedded processor and 608 MB Memory (upgradeable to 1120 MB). 160 GB HDD
- Support for HP-GL/2, HP-RTL, TIFF, JPEG, CALS G4

HP Designjet 4020ps Printer

All the features of the 4020 model, plus:

- Embedded RIP for Adobe® PostScript 3 and Adobe® PDF 1.5

Optional accessories

- HP Designjet 4520 Scanner
- HP Designjet 42 in (1067 mm) Roll Feed Spindle
- HP Designjet 512 MB Memory Upgrade
- HP Designjet High Speed USB 2.0 Card
- HP Jetdirect 630n IPv6 Gigabit Print Server
- HP Jetdirect 635n IPv6/IPsec Print Server
- Serif PosterDesigner Pro for HP
- SCP reprocontrol for HP

Optional service and support

- HP Installation Services with Network Setup (1 unit)
- HP Next Business Day Onsite Hardware Support, 3 years
- HP Same Business Day 9x5 Onsite Hardware Support, 3 years
- HP Same Business Day 13x5 Onsite Hardware Support, 3 years

HP Designjet 4020 Printer series are ideal for quality, low-cost large-format drawings, graphics, maps, presentations, renders, and posters that you can print in batch⁵.

HP Double Swath Technology

Pairs of staggered printheads in the carriage double the print swath of the HP Designjet 4020 Printer series resulting in twice the performance of earlier Designjet models.⁶

The print swaths overlap each other with 24 nozzles. The nozzles printing in the same scan line (top and bottom printheads) are used together to eliminate swath-to-swath banding. With 1048 nozzles per color, this printer fires an impressive 36,000 drops per second per nozzle.

The printer has been designed to make automatic print mode adjustments if necessary, thus ensuring consistent image quality print after print. In order to maintain media advance accuracy at the increased printing speeds, improvements have been made to keep the media tension constant, regardless of the friction conditions.

Related technologies to HP Double Swath Technology, such as the new vacuum system with dual control and high-precision media advance, ensure fast print speeds without compromising on image quality and line accuracy.



HP Embedded Web Server

The HP Embedded Web Server enables remote printer management using an ordinary Web browser. Increase your productivity and cost efficiency:

- Preview jobs before printing
- Re-print stored jobs at the touch of a button
- Remotely reset your print job priorities at any time
- Submit multiple files for printing in one go
- View and save accounting information on printheads, ink, and media usage

HP Professional Color technologies

Get the right colors on the first print. No more trial and error. Get superior color consistency: print-to-screen color matching, print-to-print color consistency, and accurate application color palette reproduction. Get excellent grays: improved gray neutrality and more grayscale levels. The HP Designjet 4020 Printer series includes the latest HP Professional Color technologies:

- Enhanced sRGB printing and AdobeRGB
- Closed Loop Color (CLC)
- TIFF and JPEG with embedded ICC profiles
- Enhanced graphic features: PANTONE calibration[®], offset emulation, HP CMYK plus, and Black Point compensation



HP Designjet 4020 Printer series

Technical specifications

Print speed	25 sec/page on D/A1 ⁷ , 1000 ft ² /hr (93 m ² /hr) ⁸ , 100 D/A1 prints per hour ⁹
Printing	
Print resolution	Up to 2400 x 1200 optimized dpi
Margins (top x bottom x left right)	Roll: 0.2 x 0.2 x 0.2 x 0.2 in (5 x 5 x 5 x 5 mm) Sheet: 0.45 x 0.98 x 0.2 x 0.2 in (11.5 x 25 x 5 x 5 mm)
Technology	HP Thermal Inkjet
Ink cartridge colors	Black, cyan, magenta, yellow
Ink types	Dye-based (cyan, magenta, yellow), pigment-based (black)
Ink drop	5 pl (cyan, magenta, yellow), 15 pl (black)
Line accuracy	+/- 0.1% ³
Line width	Minimum line width (HP-GL/2 addressable): 0.0007 in (0.02 mm) Guaranteed minimum line thickness (ISO/IEC 13660:2001(E))* 0.0027 in (0.07 mm)
Memory	608 MB memory (upgradeable to 1120 MB), 160 GB hard disk
Media	
Handling	Manual single-sheet feed, manual roll feed, automatic cutter
Types	Bond and coated paper, technical paper, film, photographic paper, proofing paper, self-adhesive, banner and sign material, fine art printing material
Thickness	Up to 15.7 mil (0.4 mm)
Weight	0.11 to 0.77 lb (50 to 350 g/m ²)
Size	Sheets and rolls in sizes B, C, D, E (A3, A2, A1, A0) and up to 42 in (1067 mm) wide
Connectivity	
Interfaces (standard)	1 Gigabit Ethernet (1000Base-T) port, 2 FireWire (IEEE1394a compliant) ports, 1 EIO Jeldirect accessory slot
Interfaces (optional)	HP Jeldirect print servers
Drivers (included)	HP-GL/2, HP-RTL, PostScript [®] drivers for Windows; HP PCL 3 GUI, PostScript [®] drivers for Mac OS X; support for Citrix XenApp and Citrix XenServer environments
Print languages (standard)	HP Designjet 4020: HP-GL/2, HP-RTL, TIFF, JPEG, CALS G4 HP Designjet 4020ps: Adobe [®] PostScript 3, Adobe [®] PDF 1.5, HP-GL/2, HP-RTL, TIFF, JPEG, CALS G4
Supported operating systems	
	Windows Vista, Windows Server 2008, Windows XP, Windows Server 2003, Mac OS X 10.4 and 10.5, Linux ¹
Dimensions	
Printer	76 x 31.5 x 53.2 in (1930 x 800 x 1350 mm)
Shipping	83.9 x 28 x 47.8 in (2130 x 710 x 1215 mm)
Weight	
Printer	253.5 lb (115 kg)
Shipping	387.8 lb (175.9 kg)
What's in the box	
	Printer, 42-in printer stand and bin, printheads (x8), printhead cleaners (x8), introductory ink cartridges, documentation and drivers CD, user maintenance kit, setup poster, Customer Service Guide, Serif PosterDesigner Pro poster, power cord

7 Mechanical printing time. Line drawing printed in Fast mode on HP Bright White Inkjet Paper (Bond). Speed indicated is maximum printer speed.
8 Color image (100% color coverage) printed in Fast mode on HP Bright White Inkjet Paper (Bond). Speed indicated is maximum printer speed.
9 Multi-copy printing; total printing time. Line drawings printed in Fast mode on HP Bright White Inkjet Paper (Bond). Speed indicated is maximum printer speed.

Environmental ranges

Operating temperature	41 to 104° F (5 to 40° C)
Recommended operating temperature	59 to 86° F (15 to 30° C)
Storage temperature	-4 to 131° F (-20 to 55° C)
Operating humidity	20 to 80% RH

Acoustic

Sound pressure, active	53 dB(A)
Sound pressure, standby	38 dB(A)
Sound power, active	7.0 B(A)
Sound power, standby	5.7 B(A)

Power consumption

Maximum	500 watts
Input voltage (auto ranging)	100 to 127 VAC (+/- 10%), 6 A; 220 to 240 VAC (+/- 10%), 3 A; 50/60 Hz (+/- 3 Hz)

Certification

Safety	USA and Canada (CSA certified), EU (LVD and EN60950-1 compliant), Russia (GOST), Singapore (PSB), China (CCC), Argentina (IRAM), Mexico (NYSCE)
Environmental	EU & China RoHS, WEEE, REACH, EuP
Electromagnetic	Compliance for Class A ITE products: EU (EMC Directive), USA (FCC Rules), Canada (ICES), Australia (ACA), New Zealand (MoC), China (CCC), Japan (VCCI); Certified as Class A product: Korea (KCC), Taiwan (BSMI)
Energy Star qualified models	see: www.hp.com/go/energystar

Warranty

	One-year limited hardware warranty
--	------------------------------------

HP Care Pack Services

UN412E	HP 3-Year Next Day Onsite Services
H4518E	HP Installation Services with Network Setup
UN409E	HP 3-Year Same Day Onsite Service (9x5)
UN405E	HP 3-Year Same Day Onsite Service (13x5)

Ordering information

Product	HP Designjet 4020 42-in Printer HP Designjet 4020ps 42-in Printer
Accessories	HP Designjet 42-in Roll Feed Spindle HP Designjet High Speed USB 2.0 card HP Designjet 512 MB Memory Upgrade HP Jeldirect 630n IPv6 Gigabit Print Server HP Jeldirect 635n IPv6/PPsec Print Server Serif PosterDesigner Pro for HP SCP reprocontrol for HP (1 printer) SCP reprocontrol for HP (2 printers) HP Designjet 4520 Scanner
Original HP ink cartridges	HP 90 Black Printhead and Cleaner HP 90 Cyan Printhead and Cleaner HP 90 Magenta Printhead and Cleaner HP 90 Yellow Printhead and Cleaner HP 90 225-ml Cyan Ink Cartridge HP 90 225-ml Magenta Ink Cartridge HP 90 225-ml Yellow Ink Cartridge HP 90 400-ml Cyan Ink Cartridge HP 90 400-ml Magenta Ink Cartridge HP 90 400-ml Yellow Ink Cartridge HP 90 400-ml Black Ink Cartridge HP 90 775-ml Black Ink Cartridge HP 90 Black Printhead/Cleaner & Ink Cartridge, 400-ml, Value Pack HP 90 Cyan Printhead/Cleaner & Ink Cartridge, 400-ml, Value Pack HP 90 Magenta Printhead/Cleaner & Ink Cartridge, 400-ml, Value Pack HP 90 Yellow Printhead/Cleaner & Ink Cartridge, 400-ml, Value Pack HP 90 Black Ink Cartridges, 400-ml, 3-ink Multipack HP 90 Cyan Ink Cartridges, 400-ml, 3-ink Multipack HP 90 Magenta Ink Cartridges, 400-ml, 3-ink Multipack HP 90 Yellow Ink Cartridges, 400-ml, 3-ink Multipack HP 90 Black Ink Cartridges, 775-ml, 3-ink Multipack HP 90 Black Printhead Cleaner
Original HP large-format printing materials	HP Universal Bond Paper 80 g/m ² , 36 in. x 150 ft/914 mm x 45.7 m HP Universal Bond Paper 80 g/m ² , 36 in. x 574 ft/914 mm x 175 m HP Bright White Inkjet Paper 90 g/m ² , 36 in. x 300 ft/914 mm x 91.4 m HP Coated Paper 90 g/m ² , 36 in. x 150 ft/914 mm x 45.7 m HP Coated Paper 90 g/m ² , 36 in. x 300 ft/914 mm x 91.4 m HP Heavyweight Coated Paper 131 g/m ² , 36 in. x 100 ft/914 mm x 30.5 m HP Heavyweight Coated Paper 131 g/m ² , 42 in. x 225 ft/1067 mm x 67.5 m HP Natural Tracing Paper 90g/m ² , 36 in. x 150 ft/914 mm x 45.7 m HP Clear Film 174 g/m ² , 36 in. x 75 ft/914 mm x 22.9 m HP Matte Film 160 g/m ² , 36 in. x 125 ft/914 mm x 38.1 m HP Universal High-gloss Photo Paper 190 g/m ² , 36 in. x 100 ft/914 mm x 30.5 m HP Universal Semi-gloss Photo Paper 190 g/m ² , 36 in. x 100 ft/914 mm x 30.5 m HP Cockle-free Heavyweight Coated Paper 170 g/m ² , 24 in. x 100 ft/914 mm x 30.5 m HP Cockle-free Heavyweight Coated Paper 170 g/m ² , 36 in. x 100 ft/914 mm x 30.5 m HP Cockle-free Heavyweight Coated Paper 170 g/m ² , 42 in. x 100 ft/1067 mm x 30.5 m HP Cockle-free Coated Paper 100 g/m ² , 24 in. x 150 ft/914 mm x 45.7 m HP Cockle-free Coated Paper 100 g/m ² , 36 in. x 150 ft/914 mm x 45.7 m HP Cockle-free Coated Paper 100 g/m ² , 42 in. x 150 ft/1067 mm x 45.7 m HP Recycled Bond Paper 80 g/m ² , 24 in. x 150 ft/914 mm x 45.7 m HP Recycled Bond Paper 80 g/m ² , 36 in. x 150 ft/914 mm x 45.7 m HP Recycled Bond Paper 80 g/m ² , 42 in. x 150 ft/1067 mm x 45.7 m HP Recycled Bond Paper 80 g/m ² , (A2) 16.5 in. x 150 ft/420 mm x 45.7 m HP Everyday Adhesive Matte Polypropylene 180 g/m ² , 36 in. x 75 ft/914 mm x 22.9 m HP Everyday Adhesive Matte Polypropylene 180 g/m ² , 42 in. x 75 ft/1067 mm x 22.9 m HP Everyday Adhesive Matte Polypropylene 180 g/m ² , 24 in. x 75 ft/914 mm x 22.9 m HP Durable Banner with DuPont [™] Tyvek [®] 140 g/m ² , 36 in. x 75 ft/914 mm x 22.9 m HP Durable Banner with DuPont [™] Tyvek [®] 140 g/m ² , 42 in. x 75 ft/1067 mm x 22.9 m HP Durable Banner with DuPont [™] Tyvek [®] 140 g/m ² , 60 in. x 75 ft/1524 mm x 22.9 m

More HP large-format printing material sizes and weights available at:
www.hp.com/go/designjet/supplies

ecoHIGHLIGHTS

HP DESIGNJET 4020 PRINTER

ECO INFORMATION

- Save paper and avoid printing mistakes with HP Instant Printing Utility 2.0
- Less ink wasted thanks to efficient installation and maintenance routine.
- Free, convenient cartridge recycling¹
- Supports 100% recycled media



ENERGY STAR[®] Qualified Product

1. In countries where the HP's Planet Partner Program operates

www.hp.com/ecosolutions

Please recycle your printing hardware and supplies.
Find out how at our website.



© 2004, 2009 Hewlett-Packard Development Company, L.P. The information contained herein is subject to change without notice. The only warranties for HP products and services are set forth in the express warranty statements accompanying such products and services. Nothing herein should be construed as constituting an additional warranty. HP shall not be liable for technical or editorial errors or omissions contained herein.
ENERGY STAR and the ENERGY STAR mark are registered U.S. marks. Adobe, PostScript, and Adobe PostScript 3 are trademarks of Adobe Systems Incorporated. Windows, Windows XP, and Windows Vista are U.S. registered trademarks of Microsoft Corporation. FireWire and the FireWire logo are trademarks of Apple Computer, Inc., registered in the U.S. and other countries. PANTONE and other Pantone, Inc. trademarks are the property of Pantone, Inc.



For more information, visit our website at:
www.hp.com/go/designjet4020

